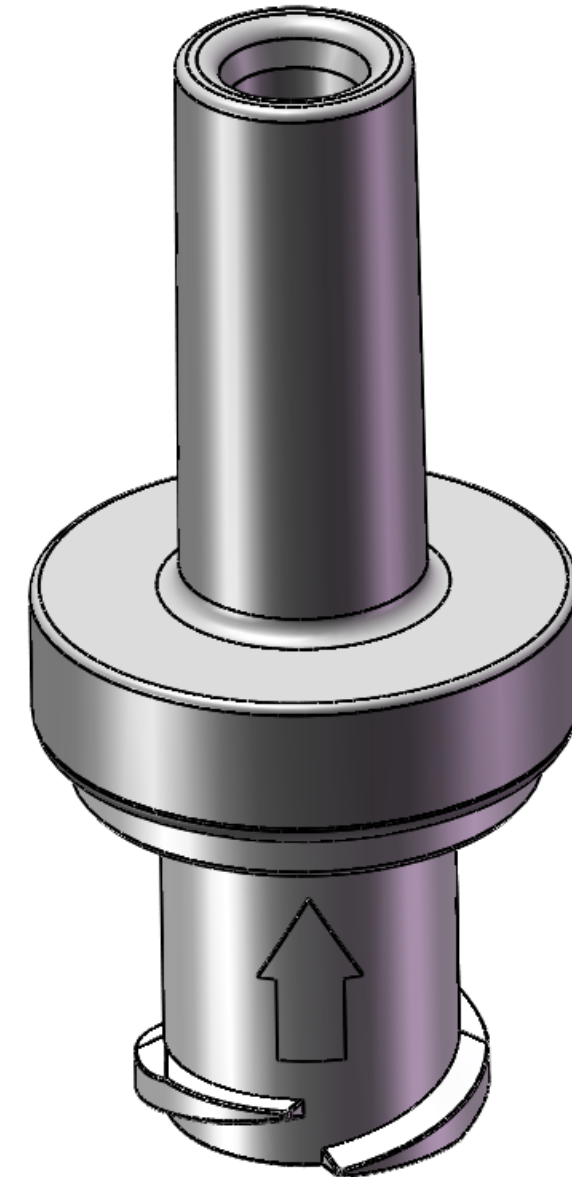
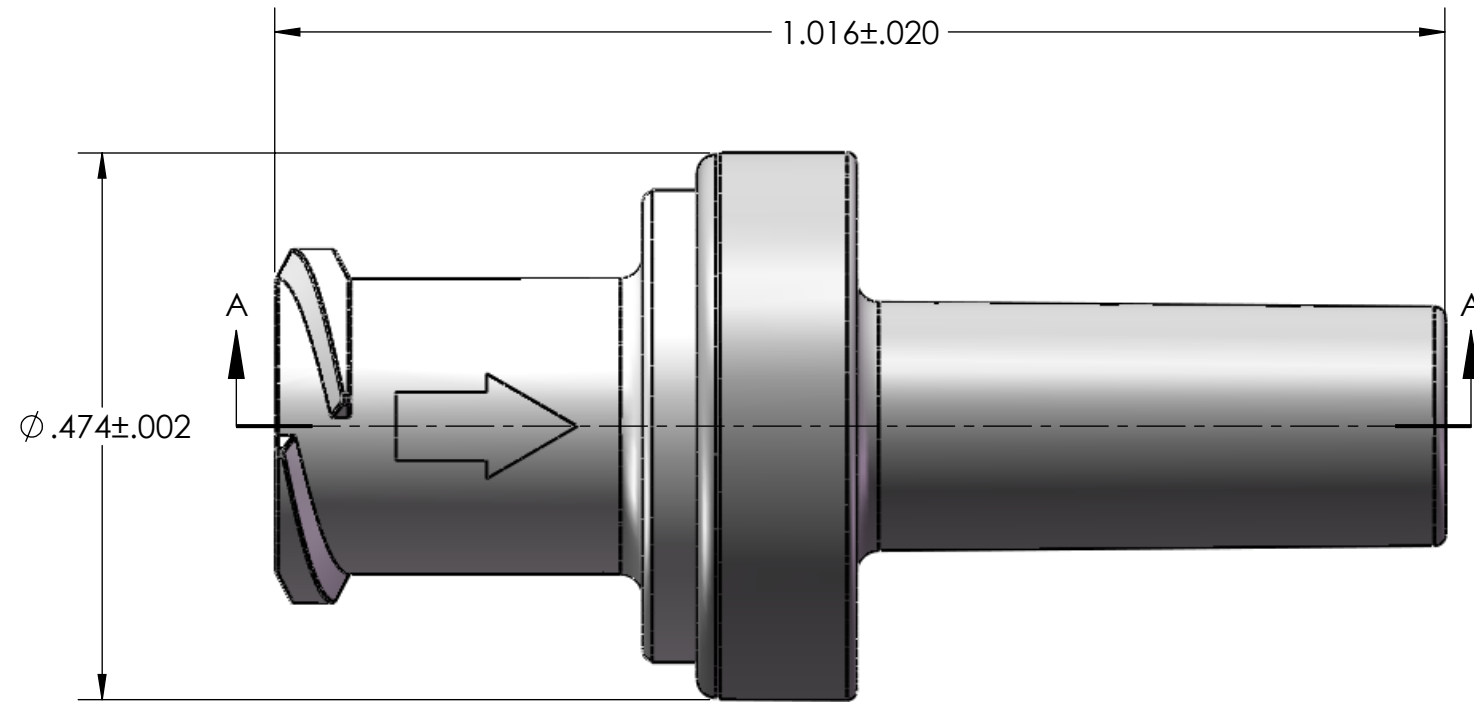
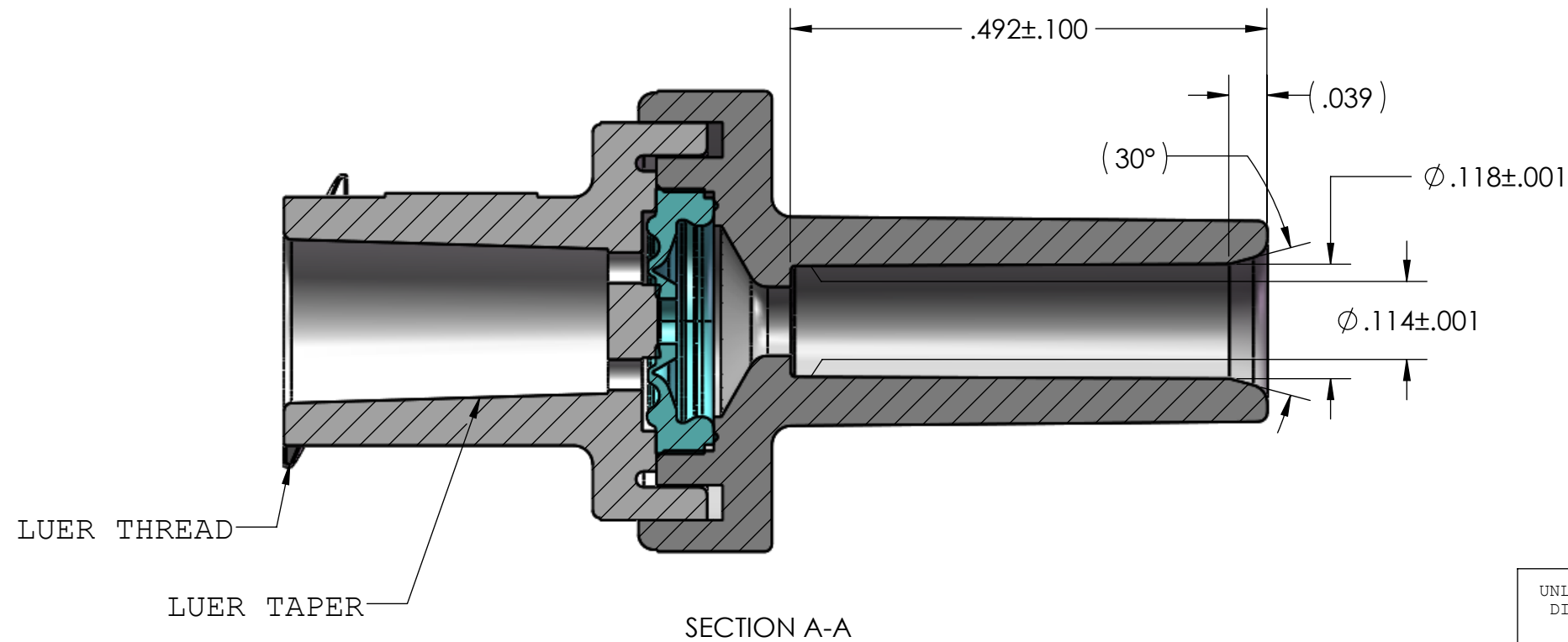


NOTES: FOR ADDITIONAL DETAILS, PLEASE CONTACT VP CUSTOMER SERVICE

REVISIONS			
REV.	DESCRIPTION	DATE	APPROVED
A	INITIAL RELEASE	04-30-15	H.L



DIRECTION OF FLUID FLOW



SECTION A-A

UNLESS OTHERWISE SPECIFIED DIMENSIONS ARE IN INCHES TOLERANCES ARE:		VALUE PLASTICS, INC	
FRACTIONS	DECIMAL	ANGULAR	PART NUMBER: SCV06335
±	.XX ±.01	± 1°	DESCRIPTION: Check Valve, Female Locking Luer to Pocket for .118" (3.0 mm) OD Tubing, Clear and White Polycarbonate w/Silicone Diaphragm
	.XXX ±.005		SIZE: B SCALE: NTS DWG. NO. 1035799 REV A
	.XXXX ±.001		ENGINEERING MANAGER: Lou Huadong
DO NOT SCALE DRAWING		© 2015 VALUE PLASTICS, INC SHEET: 1 OF 1	
DRAWN BY: Frank.Lombardi	DATE: 4/30/2015		

FOR REFERENCE ONLY